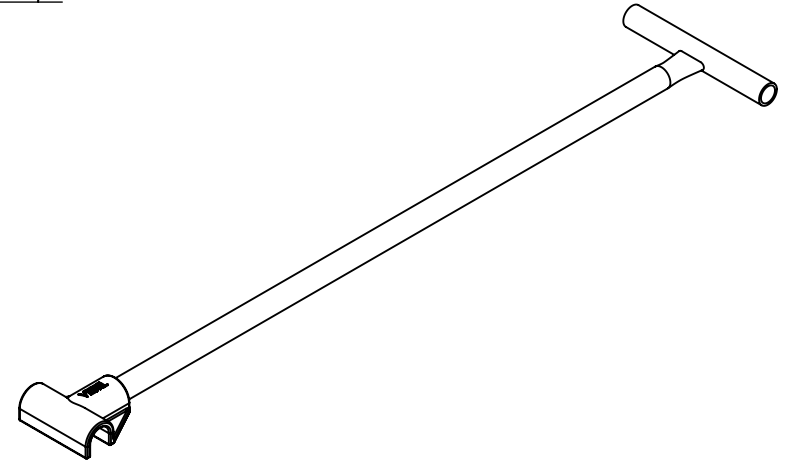
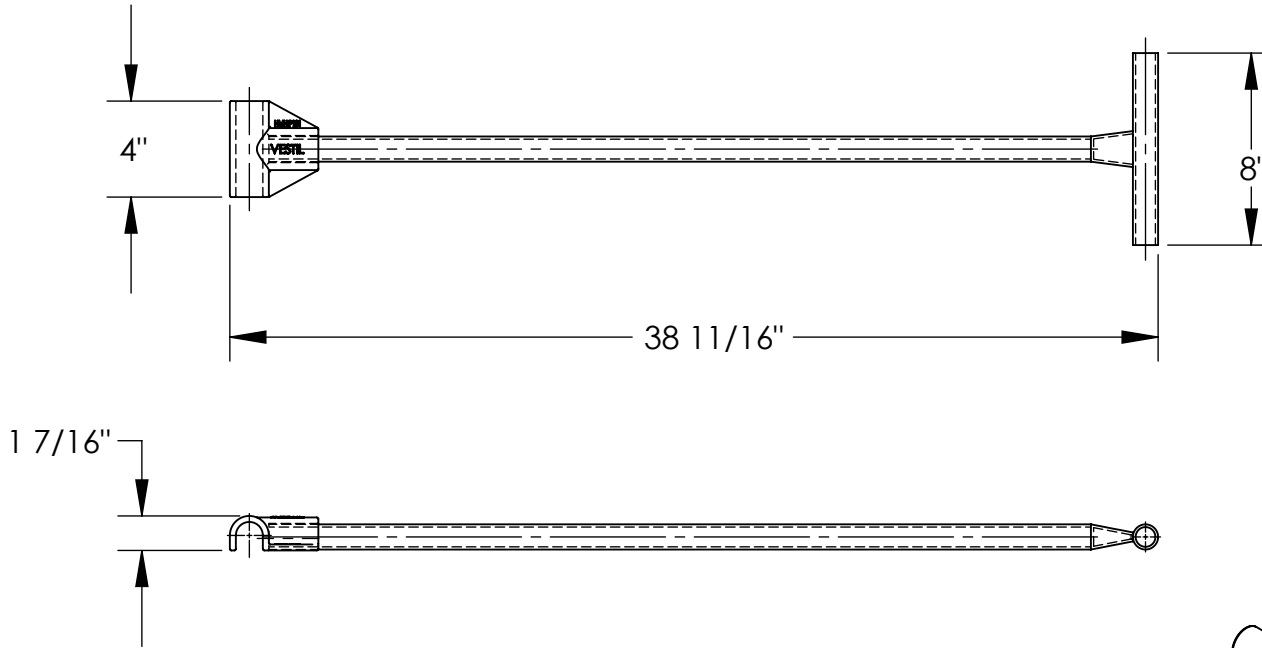


MACHINE ROLLER STEERING BAR, VMH-36-2

APPROXIMATE WEIGHT IS: 5.83 lbs.

*** ANY ADDITIONS, DELETIONS, OR OMISSIONS MUST BE CORRECTED ON THIS DRAWING AS TO ALL GRAPHICS PROVIDED ARE FOR REFERENCE ONLY. IF CERTAIN DIMENSIONS ARE CRITICAL



STANDARD FEATURES

MODEL NUMBER IS VMH-36-2
 OVERALL WIDTH IS 8"
 OVERALL LENGTH IS 38 11/16"
 OVERALL HEIGHT IS 1 7/16"

FOR USE WITH VHMS-8/15/30

SPECIAL FEATURES

NONE

ALL SPECIAL UNITS
 ARE NON-RETURNABLE

A P P R O V A L	I, the undersigned, hereby approve this print. This includes my approval of design & dimensions	
	<input type="checkbox"/> As drawn	<input type="checkbox"/> As marked
	Signed: _____ Date: _____	
	LEAD TIME WILL START UPON RECEIPT OF SIGNED APPROVAL DRAWING	

DISTRIBUTOR'S NAME: VESTIL MANUFACTURING		P.O.# X
DRAWN BY: SR	DATE: 11-18-05	W.O.# X
REFERENCE: X	SCALE: 1:8	SALES: X
	QUOTE # X	FILE NAME: 48-007-003